

**Class 2000 PSI**

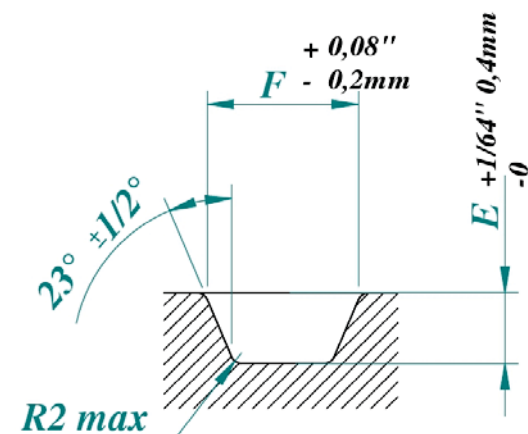
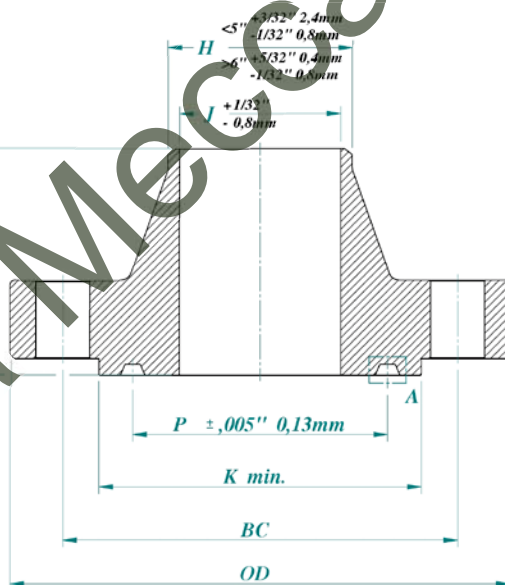
| Nominal size and bore of flange | Nominal size of flange (Inches) | Outside diameter | Diam. Of raised face | Total thickness | Diam of bolt circle | Number of bolt | Diam. Of bolt | Diam. Of bolt holes | Ring number R or RX | Neck diam. Welding - neck line pipe flange | Max. bore of welding neck flange | Welding - neck line pipe flange |
|---------------------------------|---------------------------------|------------------|----------------------|-----------------|---------------------|----------------|---------------|---------------------|---------------------|--|----------------------------------|---------------------------------|
| B                               |                                 | OD               | K                    | T               | BC                  |                |               |                     |                     | H  | J                                | Y3                              |
| 2.1/16                          | 2"                              | 165,0            | 108,0                | 33,3            | 127,0               | 8              | 5/8           | 19,0                | 23                  | 60,5                                       | 52,50                            | 81,0                            |
| 2.9/16                          | 2.1/2"                          | 190,5            | 127,0                | 36,5            | 149,2               | 8              | 3/4           | 22,5                | 26                  | 73,2                                       | 62,71                            | 87,3                            |
| 3.1/8"                          | 3"                              | 209,5            | 146,0                | 39,7            | 168,3               | 8              | 3/4           | 22,5                | 31                  | 88,9                                       | 77,93                            | 90,5                            |
| 4.1/16                          | 4"                              | 273,0            | 175,0                | 46,0            | 215,9               | 8              | 7/8           | 25,5                | 37                  | 114,3                                      | 102,2                            | 109,5                           |
| 7.1/16                          | 6"                              | 355,5            | 241,5                | 55,6            | 292,1               | 12             | 1             | 28,5                | 45                  | 168,4                                      | 146,3                            | 125,4                           |
| 9"                              | 8"                              | 419,0            | 302,0                | 63,5            | 349,3               | 12             | 1.1/8         | 32,0                | 49                  | 219,2                                      | 198,4                            | 141,3                           |
| 11"                             | 10"                             | 508,0            | 356,0                | 71,4            | 431,8               | 16             | 1.1/4         | 35,0                | 53                  | 273,1                                      | 247,6                            | 160,3                           |
| 13.5/8                          | 12"                             | 559,0            | 413,0                | 74,6            | 489,0               | 20             | 1.1/4         | 35,0                | 57                  | -  | -                                | -                               |
| 16.3/4                          | 16"                             | 686,0            | 508,0                | 84,1            | 603,3               | 20             | 1.1/2         | 41,0                | 65                  | -  | -                                | -                               |
| 21.1/4                          | 20"                             | 813,0            | 635,0                | 98,4            | 723,9               | 24             | 1.5/8         | 44,5                | 73                  | -  | -                                | -                               |

**Class 3000 PSI**

| Nominal size and bore of flange | Nominal size of flange (Inches) | Outside diameter | Diam. Of raised face | Total thickness | Diam of bolt circle | Number of bolt | Diam. Of bolt | Diam. Of bolt holes | Ring number R or RX | Neck diam. Welding - neck line pipe flange | Max. bore of welding neck flange | Welding - neck line pipe flange |
|---------------------------------|---------------------------------|------------------|----------------------|-----------------|---------------------|----------------|---------------|---------------------|---------------------|--|----------------------------------|---------------------------------|
| B                               |                                 | OD               | K                    | T               | BC                  |                |               |                     |                     | H  | J                                | Y3                              |
| 2.1/16                          | 2"                              | 216,0            | 124,0                | 46,0            | 165,1               | 8              | 7/8           | 25,5                | 24                  | 60,5                                       | 49,25                            | 65,0                            |
| 2.9/16                          | 2.1/2"                          | 244,5            | 136,5                | 49,2            | 190,5               | 8              | 1             | 28,5                | 27                  | 73,2                                       | 59,00                            | 71,5                            |
| 3.1/8"                          | 3"                              | 241,5            | 155,5                | 46,0            | 190,5               | 8              | 7/8           | 25,5                | 31                  | 88,9                                       | 73,66                            | 74,5                            |
| 4.1/16                          | 4"                              | 292,0            | 181,0                | 52,4            | 235,0               | 8              | 1.1/8         | 32,0                | 37                  | 114,3                                      | 97,18                            | 89,0                            |
| 7.1/16                          | 6"                              | 381,0            | 241,5                | 63,5            | 317,5               | 12             | 1.1/8         | 32,0                | 45                  | 168,4                                      | 146,3                            | -                               |
| 9"                              | 8"                              | 470,0            | 308,0                | 71,4            | 393,7               | 12             | 1.3/8         | 38,0                | 49                  | 219,2                                      | 188,9                            | -                               |
| 11"                             | 10"                             | 546,0            | 362,0                | 77,8            | 469,9               | 16             | 1.3/8         | 38,0                | 53                  | 273,1                                      | 236,5                            | -                               |
| 13.5/8                          | 12"                             | 609,5            | 419,0                | 87,3            | 533,4               | 20             | 1.3/8         | 38,0                | 57                  | -  | -                                | -                               |
| 16.3/4                          | 16"                             | 705,0            | 524,0                | 100,0           | 616,0               | 20             | 1.5/8         | 44,5                | 66                  | -  | -                                | -                               |
| 21.1/4                          | 20"                             | 857,0            | 648,0                | 120,7           | 749,3               | 20             | 2             | 54,0                | 74                  | -  | -                                | -                               |

**Class 5000 PSI**

| Nominal size and bore of flange | Nominal size of flange (Inches) | Outside diameter | Diam. Of raised face | Total thickness | Diam of bolt circle | Number of bolt | Diam. Of bolt | Diam. Of bolt holes | Ring number R or RX | Neck diam. Welding - neck line pipe flange | Max. bore of welding neck flange | Welding - neck line pipe flange |
|---------------------------------|---------------------------------|------------------|----------------------|-----------------|---------------------|----------------|---------------|---------------------|---------------------|--|----------------------------------|---------------------------------|
| B                               |                                 | OD               | K                    | T               | BC                  |                |               |                     |                     | H  | J                                | Y3                              |
| 2.1/16                          | 2"                              | 216,0            | 124,0                | 46,0            | 165,1               | 8              | 7/8           | 25,5                | 24                  | 60,5                                       | 42,90                            | 65,0                            |
| 2.9/16                          | 2.1/2"                          | 244,5            | 136,5                | 49,2            | 190,5               | 8              | 1             | 28,5                | 27                  | 73,2                                       | 53,98                            | 71,5                            |
| 3.1/8"                          | 3"                              | 267,0            | 168,5                | 55,6            | 203,2               | 8              | 1.1/8         | 32,0                | 35                  | 88,9                                       | 66,65                            | 81,0                            |
| 4.1/16                          | 4"                              | 311,0            | 193,5                | 61,9            | 241,3               | 8              | 1.1/4         | 35,0                | 39                  | 114,3                                      | 87,33                            | 98,5                            |
| 7.1/16                          | 6"                              | 394,0            | 247,5                | 92,1            | 317,5               | 12             | 1.3/8         | 38,0                | 46                  | 168,4                                      | 131,8                            | -                               |
| 9"                              | 8"                              | 482,5            | 317,5                | 103,2           | 393,7               | 12             | 1.5/8         | 44,5                | 50                  | 219,2                                      | 173,0                            | -                               |
| 11"                             | 10"                             | 584,0            | 371,5                | 119,1           | 482,6               | 12             | 1.7/8         | 51,0                | 54                  | 273,1                                      | 215,9                            | -                               |


**Notes:**

- 1)
- 2)
- 3)
- 4)
- 5)