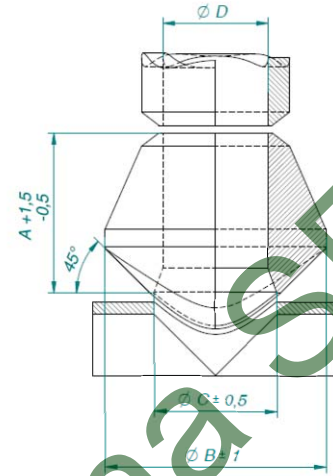


Standard weight (o'let equal to run pipe)

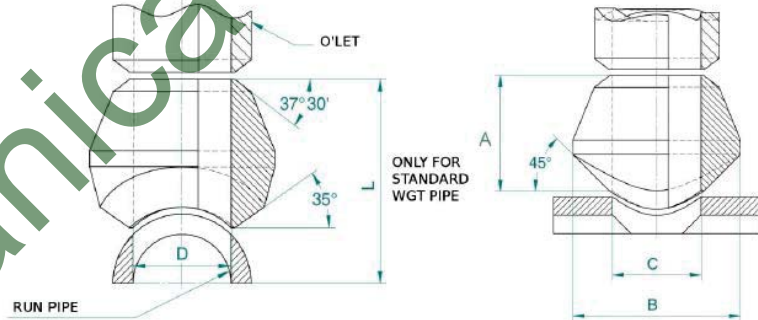
Nominal inch	A	B	C	D	Weight Kg
1/2"	19.05	34.93	23.81	IT DEPENDS ON THE SCHEDULE	0.07
3/4"	22.23	41.28	30.16		0.11
1"	26.99	50.8	36.51		0.18
1.1/4"	31.75	60.33	44.45		0.32
1.1/2"	33.34	73.03	50.8		0.36
2"	38.1	88.9	65.09		0.68
2.1/2"	41.28	103.19	76.2		1.02
3"	44.45	122.24	93.66		1.70
3.1/2"	47.63	136.53	112.71		2.27
4"	50.8	152.4	120.65		3.04
5"	53.98	180.98	141.29		3.86
6"	60.33	215.9	169.86		5.58
8"	69.85	263.53	220.66		9.53
10"	77.79	319.09	274.64		15.88
12"	85.73	377.83	325.44		26.31
14"	88.9	409.58	357.19		31.75
16"	93.66	463.55	407.99		41.73
18"	103.19	527.05	458.79		56.70
20"	117.48	585.79	508		79.38
24"	144.5	717.5	609.6		114
26"	155.6	778	660.4	138	
30"	174.6	893.6	762	230	
36"	206.4	1070	914.4	336	
40"	225.4	1187.6	1016	470	
42"	235	1244.6	1066.8	530	
48"	241	1404	1219.2	690	

Extra strong (o'let equal to run pipe)

Nominal inch	A	B	C	D	Weight Kg
1/2"	19.05	34.93	23.81	IT DEPENDS ON THE SCHEDULE	0.07
3/4"	22.23	41.28	30.16		0.11
1"	25.4	50.8	36.51		0.18
1.1/4"	28.58	61.91	44.45		0.32
1.1/2"	31.75	73.03	50.8		0.41
2"	38.1	88.9	65.09		0.73
2.1/2"	41.28	103.19	76.2		1.13
3"	44.45	122.24	93.66		1.86
3.1/2"	47.63	136.53	112.71		2.30
4"	50.8	152.4	120.65		3.40
5"	52.39	180.98	147.64		4.31
6"	77.79	225.43	169.86		6.80
8"	98.43	269.88	220.66		14.52
10"	95.25	327.03	273.23		20.87
12"	100.01	385.76	330.2		27.67
14"	104.78	423.86	363.54		34.02
16"	112.71	479.43	419.1		52.16
18"	119.06	536.58	473.08		58.97
20"	127	593.73	528.64		84.82
24"	152.4	722.2	609.6		146
26"	165.1	782.6	660.4	182	
30"	181	896.8	762	255	
36"	212.7	1074.4	914.4	446	
40"	235	1194	1016	600	
42"	244.5	1250.8	1066.8	673	
48"	273	1425.6	1219.2	987	


Double extra strong (o'let equal to run pipe)

Nominal inch	A	B	C	Weight Kg
1/2"	28.58	34.93	14.29	0.11
3/4"	31.75	44.45	19.05	0.32
1"	38.1	50.8	25.4	0.38
1.1/4"	44.45	61.91	33.34	0.57
1.1/2"	50.8	69.85	38.1	0.79
2"	55.56	80.96	42.86	0.97
2.1/2"	61.91	96.84	53.98	1.53
3"	73.03	120.65	73.03	2.87
4"	84.14	152.4	98.43	4.76
5"	93.66	187.33	122.24	6.46
6"	104.78	220.66	146.05	13.72
8"	111.13	284.16	173.04	21.32
10"	136.53	342.9	215.9	39.46
12"	158.75	422.28	257.18	62.14



- Notes:
- 1) All dimensions are in mm.
 - 2) All weights are estimated.

